

SHARP

Be Original.

AR-M560N AR-M460N

Digital Multifunction System

A Business-Smart Way to Balance Cost and Function



Budget-Friendly MFP Streamlines Document Tasks

Built to deliver reliable copy/print performance at an affordable price, the B/W AR-M560N/M460N offers a short warm-up time, fast output, and easy operation from a colour LCD control panel. And while this energy-efficient MFP handles fundamental document tasks with ease, a variety of finishing options can be added to save additional time and effort.



PRODUCTIVITY

Super-Efficient Output

The AR-M560N/M460N delivers a fast output of 56^{*1}/46 ppm^{*2}. And the first copy comes out in just 3.7/3.9 seconds to save valuable time when performing multiple short-run jobs.



^{*1}: 51 ppm for AR-M560N when equipped with MX-FN10
^{*2}: A4 (8 1/2" x 11"), long-edge feeding

Standard-Equipped RSPF and Duplex Module

The AR-M560N/M460N comes equipped with a 100-sheet RSPF (reversing single pass feeder) and has a built-in stackless duplex module for making two-sided copies and printouts.



Professional-Looking Finishing

The AR-M560N/M460N can accommodate a range of finishing options to suit a variety of workplaces and applications. For basic sorting/stapling of documents, two types of handy finishers are available: the space-efficient Finisher can be added on without taking up much room, while the large-capacity Finisher has output trays that can hold up to 4,000 sheets. Saddle Stitch Finishers also come in two types: one has an output tray capacity of up to 1,000 sheets, while the other boasts a capacity of up to 4,000 sheets. In addition to basic sorting/stapling, both types of Saddle Stitch Finishers can fold/staple documents of up to 15 sheets to make completed booklets. Punch Modules are available for each finisher.



Space-efficient Finisher



1,000-sheet Saddle Stitch Finisher



4,000-sheet Saddle Stitch Finisher

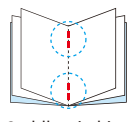
Job Finishing Samples



Stapling



Hole punching



Saddle stitching

Long-Paper (Banner) Printing*

The optional Long Paper Feeding Tray accommodates extra-long paper up to 1,200 mm—expanding the range of print products to include large display-window ads, banner signs, and more.

*Contact a Sharp customer representative for details on using this function.

Extra Paper Capacity

For high-volume work, the AR-M560N/M460N can accommodate an optional stand with 500 + 2,000-sheet paper drawer for a total capacity of 6,600 sheets. When a tray runs out of paper, the Auto Tray Switching function automatically switches to another paper tray filled with the same size paper, allowing you to do extra-large volume jobs without worry.



Scan to USB Drive

The AR-M560N/M460N enables full-colour scanning directly to USB drives via a USB port located below the control panel.



Job Build for Large-Volume Scanning

The AR-M560N/M460N easily handles large-volume copy jobs exceeding the RSPF's 100-sheet^{*1} capacity. For example, a 270-sheet original can be scanned as batches of 100 + 100 + 70 sheets and automatically stored in the MFP's memory^{*2}. Users can then print the entire document in a single run.

^{*1}: A4 (8 1/2" x 11"), 80 g/m²

^{*2}: The number of pages that can be stored for the Job Build function depends on the machine's memory capacity and other conditions.

Other Key Features

- **Direct printing** of TIFF/JPEG files
- **Card Shot** enables easy copying and scanning of both sides of a card onto a single page
- **Multi-Shot** copying and **N-up** printing
- **Mixed Size Original Copy** automatically distinguishes documents of mixed sizes* fed through the RSPF

*Some restrictions apply when combining paper sizes of different format series.

SUPERB IMAGE QUALITY

High-Resolution Output

The AR-M560N/M460N's digital smoothing technology enhances the 600 dpi print and copy resolution to the equivalent of 9,600 x 600 dpi for incredibly smooth reproduction of fine lines. Fine-grained photographs, detailed illustrations and graphs, and small text come out crisp and clear.

Stable Halftones and Smooth Gradations

Halftone process control employs an image density sensor to enhance the stability and accuracy of halftones, thereby bringing consistently high image quality to copy/print jobs. Meanwhile, 4-bit depth, rated at 600 dpi resolution, generates fine dots and rich greyscales that provide smooth gradations.

Enhanced Scan Performance

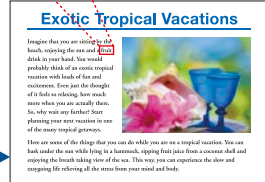
A function of Auto Colour Mode, the automatic suppression of unnecessary background colour is essential to achieving crisp, clear, natural-looking images. The AR-M560N/M460N provides enhanced background suppression without losing colour balance, resulting in scanned images that closely match the original.

Auto Colour Mode



Original
Auto recognition

Text comes out crisp and clear, and unnecessary background colour is automatically removed



Scanned image

EASE OF USE

User-Friendly Control Panel

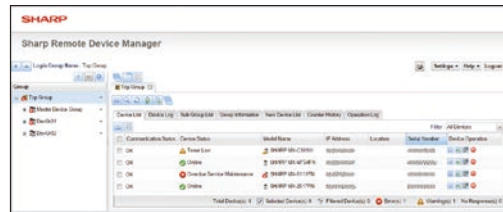
The AR-M560N/M460N is equipped with a 7.0-inch WVGA touchscreen colour LCD that provides easy navigation of MFP functions and settings.



Sharp Remote Device Manager*

This utility software gives administrators centralised control of their networked MFPs through a Web browser.

*Contact a Sharp customer representative for availability and other details.



Remote Operation*

Working from an office-networked PC, users and/or administrators can remotely view the MFP's control panel and operate its features and functions.

*Requires VNC application.

Easy-Grip Handles

Easy-grip handles allow the paper drawers to be grasped from the top as well as the bottom for easy opening and closing.

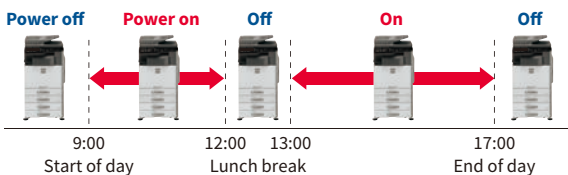


OTHER KEY FEATURES

For further information on these features, please refer to Sharp's solutions brochure.

Outstanding Energy Efficiency

- A warm-up time of **12 seconds** contributes to reduced overall energy consumption.
- Power ON/OFF Schedule** function automatically turns the MFP on or off per administrator-set schedules.



- Eco Scan** function saves energy by keeping the fusing system shut down during Scan to USB jobs, which don't require its use.

- Pressing the **power save key** after a job is finished immediately puts the MFP into auto power shut-off mode for further cutbacks on running costs.

Power save key



Network Security and Access Control

- SSL** (secure sockets layer) and **IPsec** data encryption technologies ensure secure network communications.
- User Authentication** covering up to 1,000 users prevents unauthorised MFP use by requiring access passwords.
- Supports the **IEEE 802.1X** standard for port-based network access control.



User authentication

SPECIFICATIONS (tentative)

General

Type	Desktop
Engine speed	A4 (8 1/2" x 11")*1: Max. 56/46 ppm*2 A3 (11" x 17"): Max. 26/22 ppm
Control panel display	7.0-inch colour LCD touchscreen
Paper size	Max. A3 wide (12" x 18")*3, min. A5 (5 1/2" x 8 1/2")*4
Paper capacity (80 g/m ²)	Standard: 600 sheets (500-sheet tray and 100-sheet multi-bypass tray) Maximum: 6,600 sheets (600 sheets & optional 500 + 2,000-sheet tray and 3,500-sheet tray) Tray: 60 g/m ² to 220 g/m ² (16 lbs bond to 80 lbs cover) Multi-bypass tray: 55 g/m ² to 300 g/m ² (13 lbs bond to 110 lbs cover)
Paper weight*5	
Warm-up time*6	12 sec.
Memory	2GB (copy/print shared)
Power requirements	Rated local AC voltage ±10%, 50/60 Hz
Power consumption	Max. 1.84 kW (220V to 240V), max. 1.44 kW (100V to 127V)
Dimensions (W x D x H)	608 x 690 x 837 mm (23 15/16" x 27 11/64" x 32 61/64")
Weight (approx.)	66 kg (145.5 lbs)

Copier

Original paper size	Max. A3 (11" x 17")
First copy time*7	3.7/3.9 sec.
Continuous copy	Max. 999 copies
Resolution	Scan: 600 x 600 dpi, 600 x 400 dpi, 600 x 300 dpi*8 Print: 600 x 600 dpi, 9,600 (equivalent) x 600 dpi
Gradation	Scan: 256 levels Print: 256 levels (equivalent)
Zoom range	25% to 400% (25% to 200% using RSPF) in 1% increments
Preset copy ratios	Metric: 10 ratios (5R/5E), inch: 8 ratios (4R/4E)

Colour Scanner

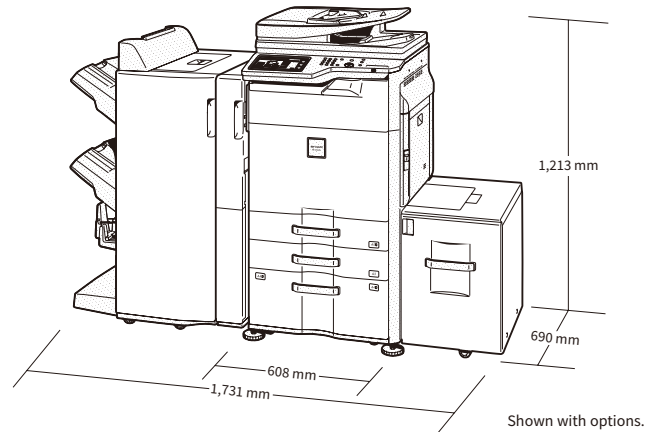
Scan method	Push scan (via control panel)
Resolution	100, 200, 300, 400, 600 dpi
File formats	TIFF, PDF, PDF/A, JPEG*9, XPS
Scan destination	Scan to USB drive

Network Printer

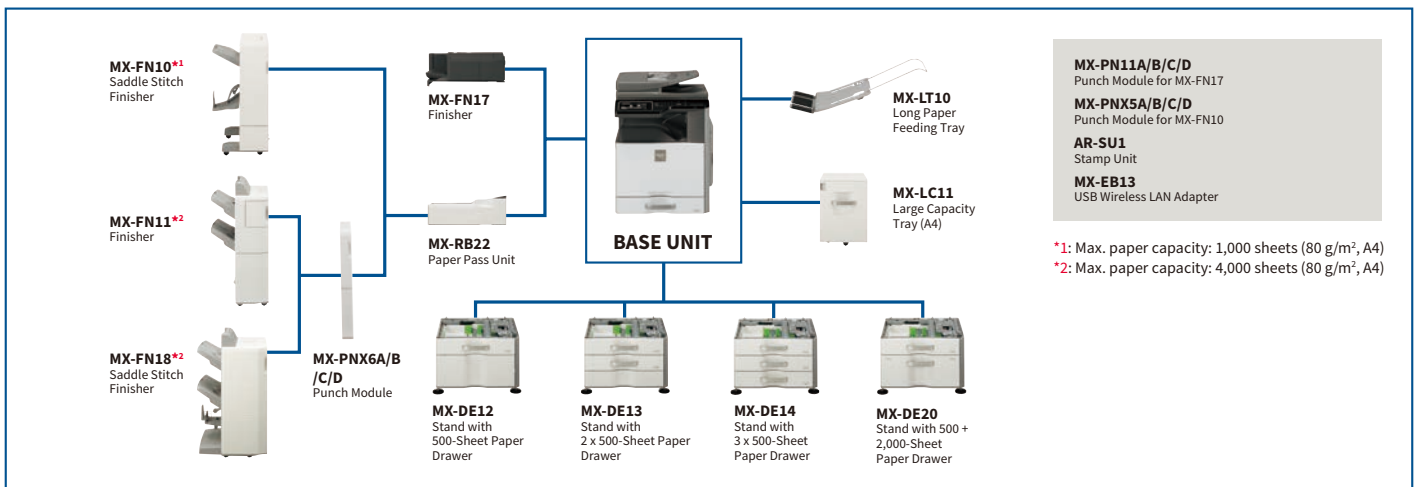
Resolution	600 x 600 dpi, 9,600 (equivalent) x 600 dpi
Interface	USB 2.0, 10Base-T/100Base-TX/1000Base-T
Supported OS	Windows Server® 2008, Windows Server® 2008 R2, Windows Server® 2012, Windows Server® 2012 R2, Windows Server® 2016, Windows Vista®, Windows® 7, Windows® 8.1, Windows® 10
Network protocols	TCP/IP (IPv4), IPX/SPX (NetWare)
Printing protocols	LPR, Raw TCP (port 9100), POP3 (e-mail printing), HTTP, FTP for downloading print files, IPP
PDL	PCL 6 emulation
Available fonts	80 fonts for PCL

- *1: Long-edge feeding.
- *2: 51 ppm for AR-M560N when equipped with MX-FN10.
- *3: A3 wide (12" x 18") paper must be fed through multi-bypass tray.
- *4: Only short-edge feeding can be used with A5 (5 1/2" x 8 1/2") paper.
- *5: Depending on usage conditions and type of paper, printing may not be executed correctly.
- *6: At rated voltage, 23°C (73.4°F). May vary depending on operating conditions and environment.
- *7: Long-edge feeding of A4 (8 1/2" x 11") sheets from paper tray, using document glass, MFP in fully ready condition. May vary depending on operating conditions and environment.
- *8: Not available when using RSPF.
- *9: Colour/greyscale only.

• Design and specifications are subject to change without prior notice.
• Windows, Windows Server, and Windows Vista are registered trademarks of Microsoft Corporation in the US and/or other countries. PCL is a registered trademark of Hewlett-Packard Company. All other brand names and product names may be trademarks or registered trademarks of their respective owners.



SYSTEM CONFIGURATION



Certain options may not be available in some areas.

Distributed by:

SHARP